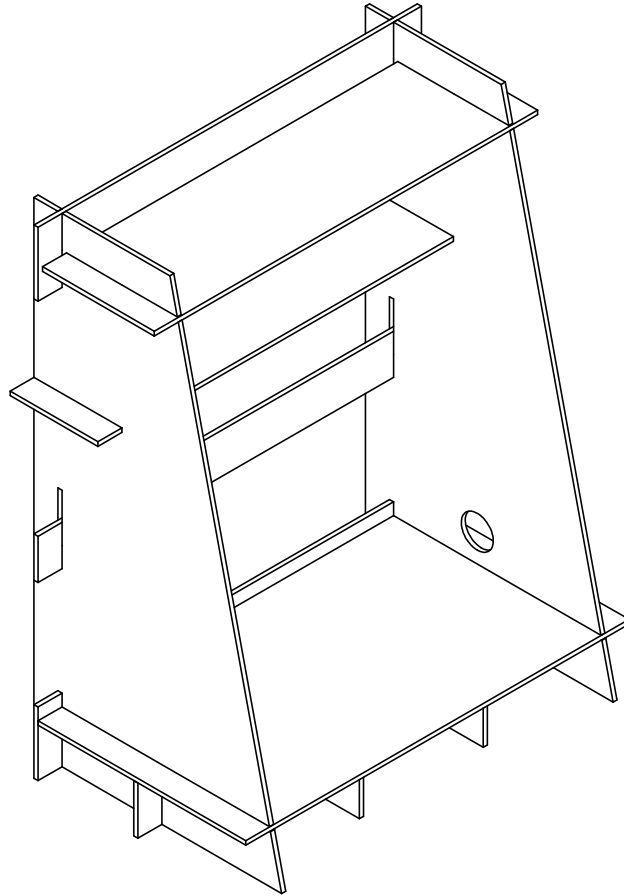


NOTES:

1. MAKE FROM ONE AND ONE-HALF SHEETS OF 1/2 INCH PLYWOOD.
2. ALL SLOTS ARE 1/2 INCH WIDE (OR SLIGHTLY WIDER).
3. THIS IS WAY TOO DARN BIG, DON'T BUILD IT!



TITLE:			
<b>Plantry Assembly</b>			
SIZE	DWG. NO.	REV	
<b>A</b>	<b>Plantry Big</b>		
SCALE: 1:16		WEIGHT:	SHEET 1 OF 5

<p><b>PROPRIETARY AND NON-CONFIDENTIAL</b></p> <p>THE INFORMATION CONTAINED IN THIS DRAWING IS THE SOLE PROPERTY OF PLAYATECH AND WRISTY AND THE ENTIRE BURNING MAN COMMUNITY. ANY REPRODUCTION IN PART OR AS A WHOLE WITHOUT THE WRITTEN PERMISSION OF PLAYATECH IS STRICTLY ENCOURAGED.</p>	<p>UNLESS OTHERWISE SPECIFIED: ALL DIMENSIONS ARE IN INCHES TOLERANCES: FRACTIONAL: ± ANGULAR: MACH ±    BEND ± TWO PLACE DECIMAL    ±</p>	MATERIAL		NAME	DATE
		1/2 inch plywood		Wristy	07/13/06
		FINISH		CHECKED	
		NONE		ENG APPR.	Wristy    07/13/06
		DO NOT SCALE DRAWING			

5

4

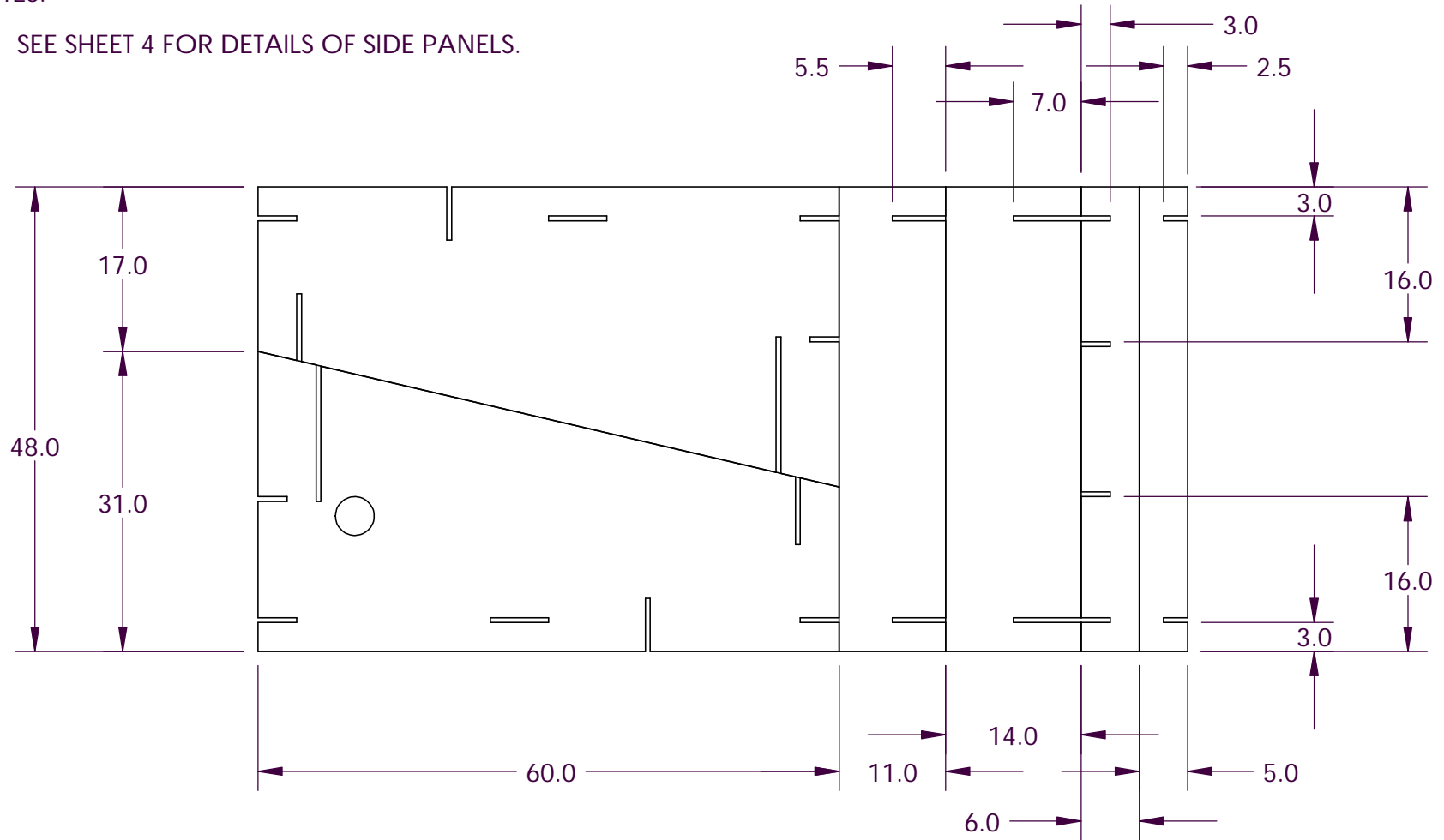
3

2

1

NOTES:

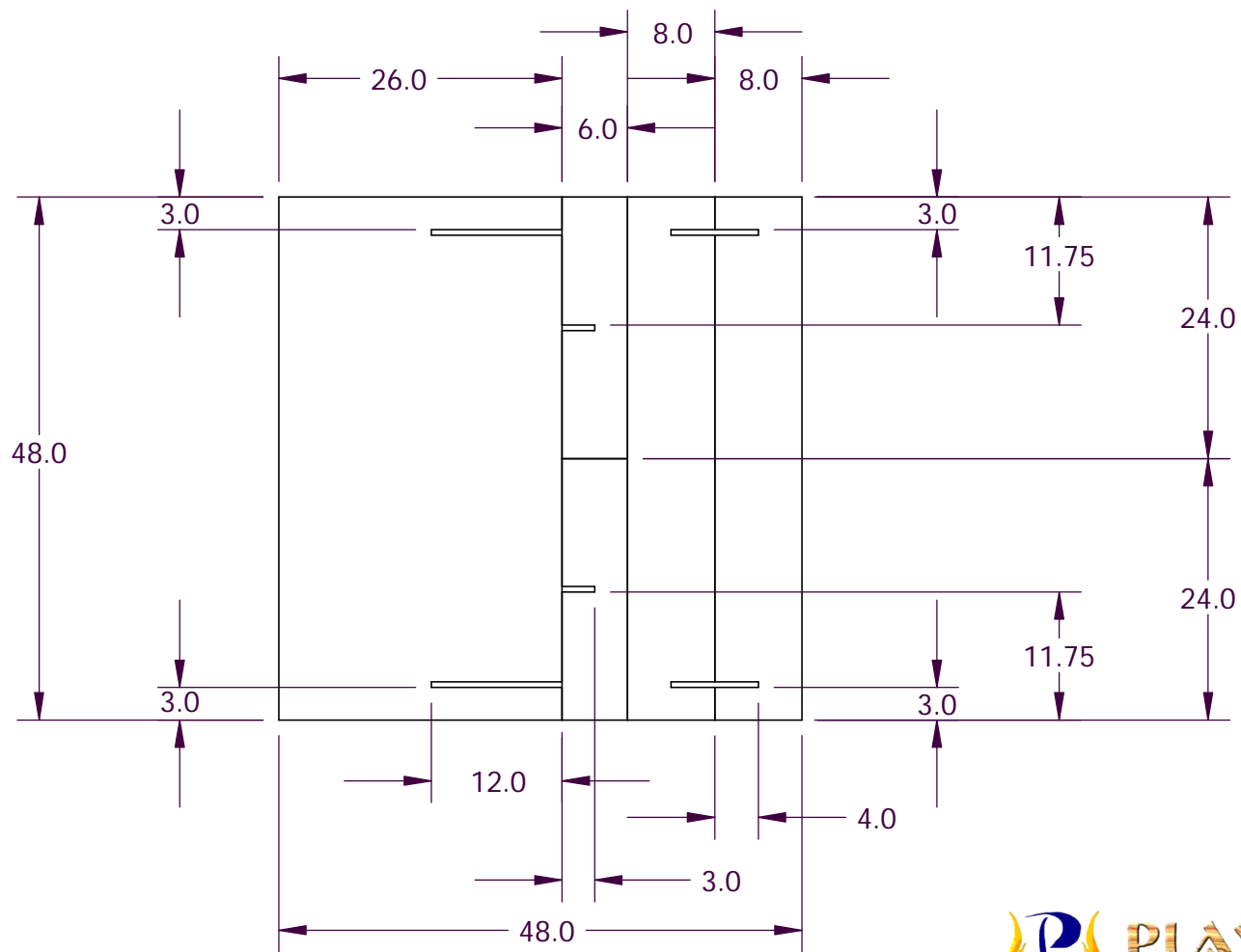
3. SEE SHEET 4 FOR DETAILS OF SIDE PANELS.



TITLE:		
Pantry Sheet 1		
SIZE	DWG. NO.	REV
<b>A</b>	Plantry Big	
SCALE: 1:16		SHEET 2 OF 5

**PROPRIETARY AND NON-CONFIDENTIAL**

THE INFORMATION CONTAINED IN THIS DRAWING IS THE SOLE PROPERTY OF PLAYATECH AND WRISLY AND THE ENTIRE BURNING MAN COMMUNITY. ANY REPRODUCTION IN PART OR AS A WHOLE WITHOUT THE WRITTEN PERMISSION OF PLAYATECH IS STRICTLY ENCOURAGED.



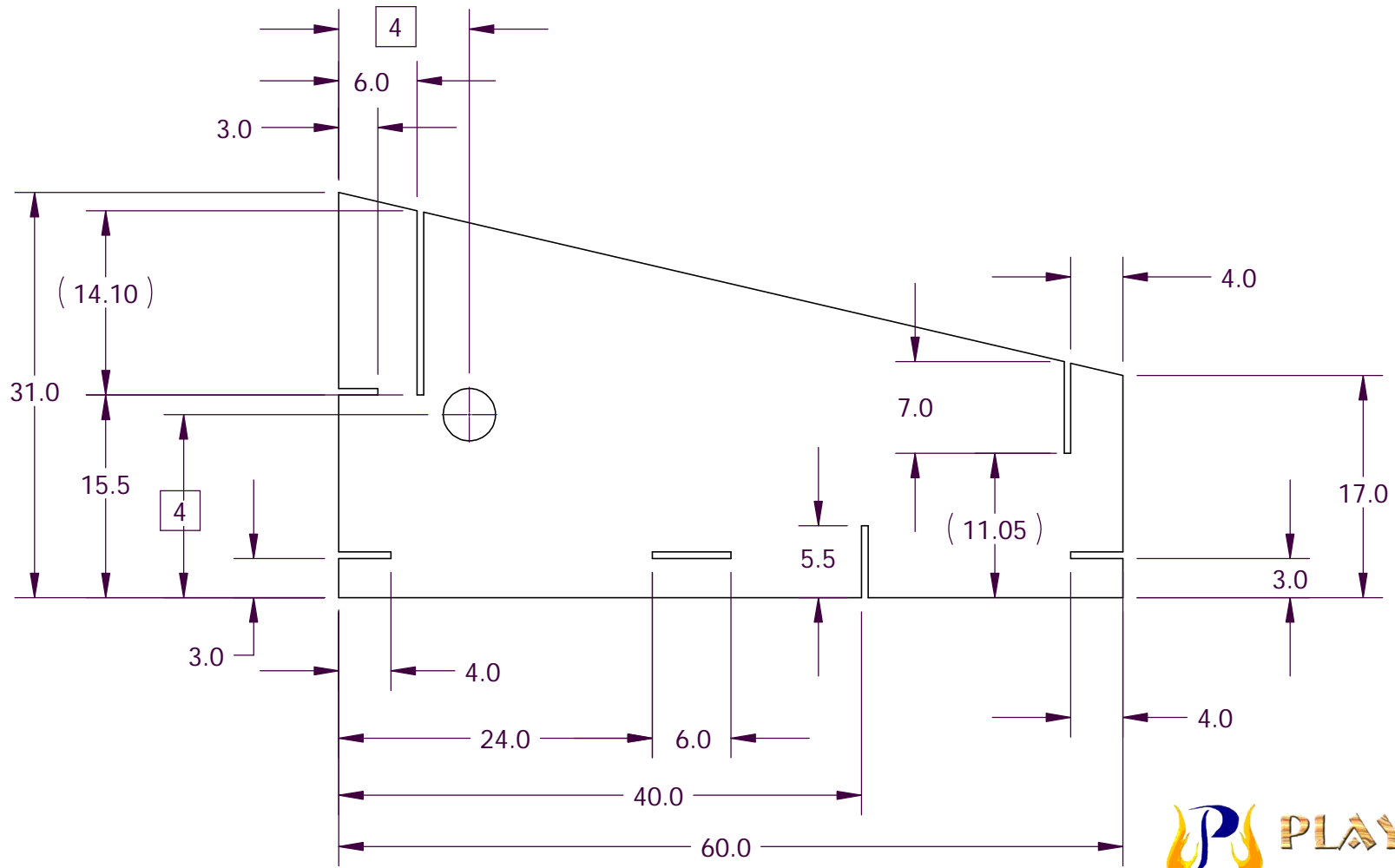
TITLE:		
Plantry Sheet 2		
SIZE	DWG. NO.	REV
<b>A</b>	Plantry Big	
SCALE: 1:16		SHEET 3 OF 5

**PROPRIETARY AND NON-CONFIDENTIAL**

THE INFORMATION CONTAINED IN THIS DRAWING IS THE SOLE PROPERTY OF PLAYATECH AND WRISTY AND THE ENTIRE BURNING MAN COMMUNITY. ANY REPRODUCTION IN PART OR AS A WHOLE WITHOUT THE WRITTEN PERMISSION OF PLAYATECH IS STRICTLY ENCOURAGED.

NOTES:

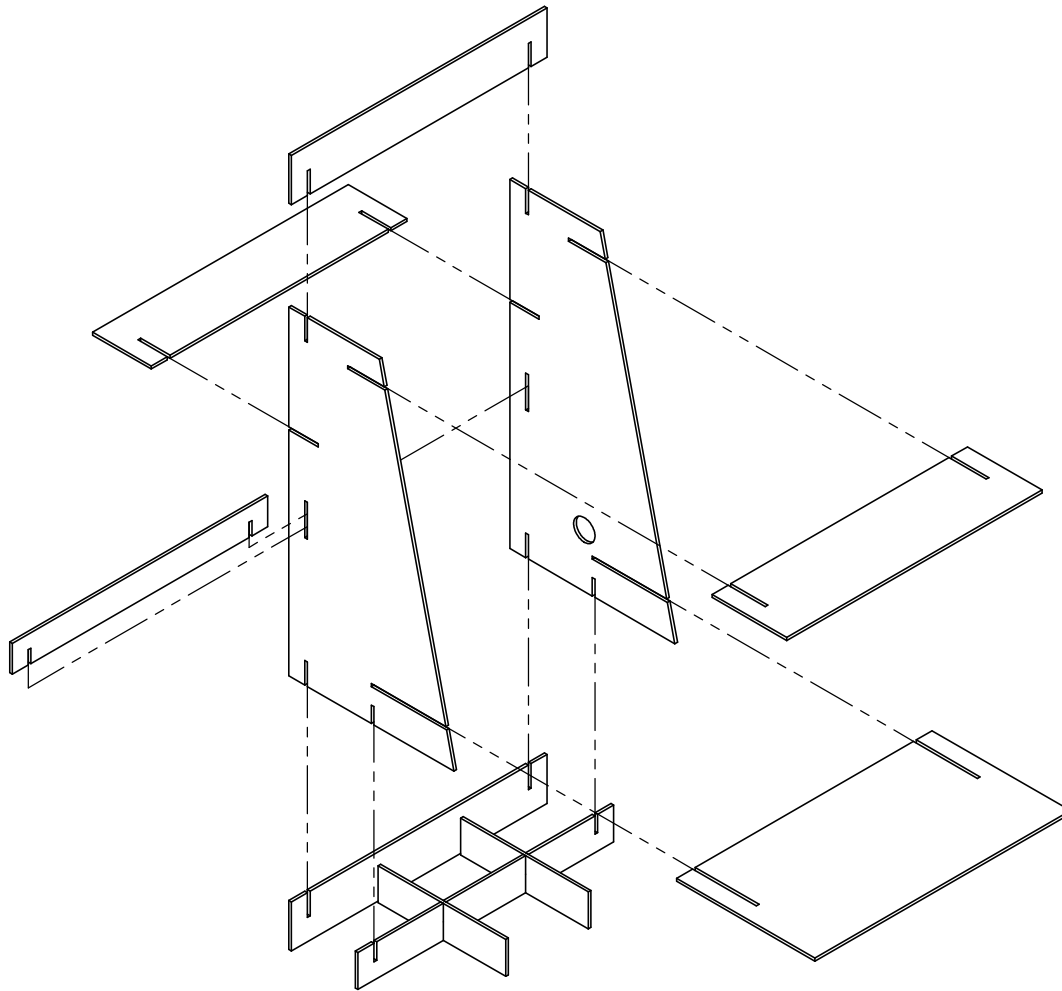
4 ADJUST DRAIN HOLE LOCATION AS REQUIRED.



TITLE:		
Pantry Side		
SIZE	DWG. NO.	REV
A	Pantry Big	
SCALE: 1:12		SHEET 4 OF 5

PROPRIETARY AND NON-CONFIDENTIAL

THE INFORMATION CONTAINED IN THIS DRAWING IS THE SOLE PROPERTY OF PLAYATECH AND WRISTY AND THE ENTIRE BURNING MAN COMMUNITY. ANY REPRODUCTION IN PART OR AS A WHOLE WITHOUT THE WRITTEN PERMISSION OF PLAYATECH IS STRICTLY ENCOURAGED.



**PROPRIETARY AND NON-CONFIDENTIAL**

THE INFORMATION CONTAINED IN THIS DRAWING IS THE SOLE PROPERTY OF PLAYATECH AND WRISTY AND THE ENTIRE BURNING MAN COMMUNITY. ANY REPRODUCTION IN PART OR AS A WHOLE WITHOUT THE WRITTEN PERMISSION OF PLAYATECH IS STRICTLY ENCOURAGED.



TITLE:		
Plantry Assembly		
SIZE	DWG. NO.	REV
<b>A</b>	Plantry Big	
SCALE: 1:24		SHEET 5 OF 5

5

4

3

2

1