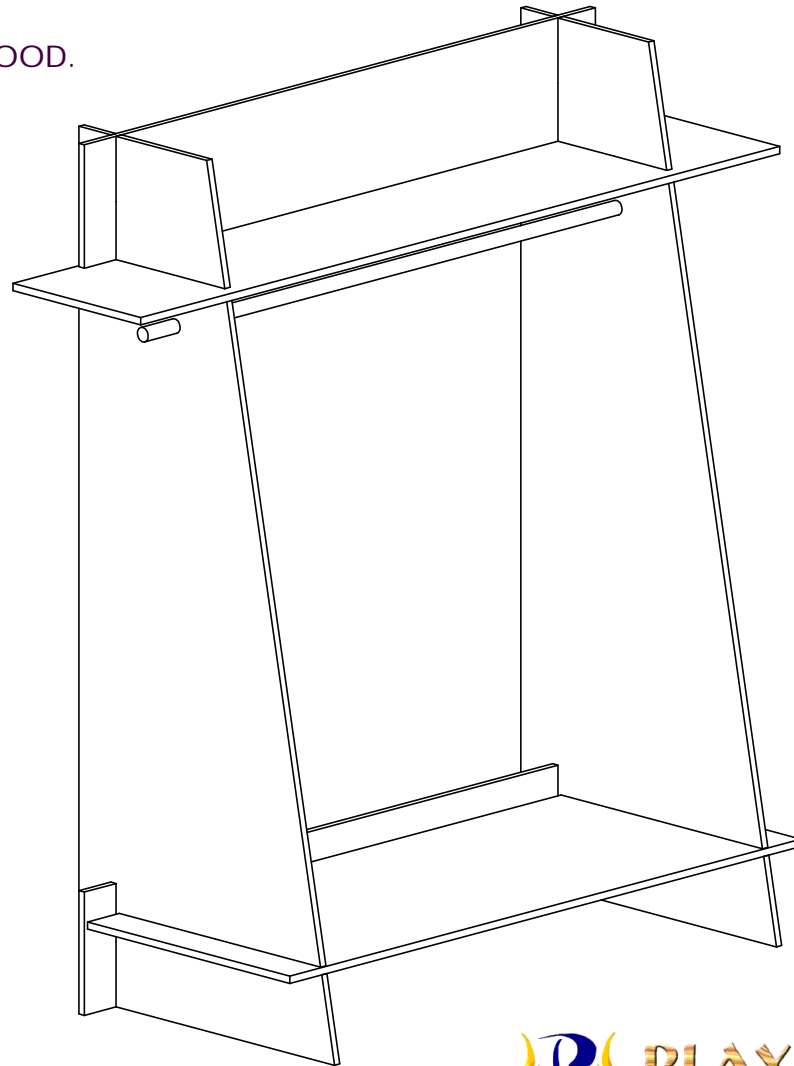


NOTES:

1. MAKE FROM EXACTLY ONE SHEET OF 1/2 INCH PLYWOOD. SEE SHEET 2 FOR CUT DIMENSIONS.
2. ALL SLOTS ARE 1/2 INCH WIDE (OR SLIGHTLY WIDER THAN THE ACTUAL PLYWOOD SHEET THICKNESS).
3. CLOTHES ROD TO BE AT LEAST 1.0 INCH DIAMETER, 48 INCHES LONG.
- 4 DRILL HOLES TO MATCH ROD DIAMETER.
5. DIMENSIONS ARE TO EDGES OF SLOTS.



TITLE: Ploset Assembly			
SIZE A	DWG. NO. Ploset	REV A	
SCALE: 1:12		WEIGHT:	SHEET 1 OF 5

<p>USE ONLY WITH PAYMENT OF ROYALTY</p> <p>© 2007 Playatech – All Rights Reserved. The information contained in this drawing is the sole property of Playatech, and was created to benefit the entire Burning Man community. This design may be used only after royalty payment as described at www.playatech.com.</p>	<p>UNLESS OTHERWISE SPECIFIED: ALL DIMENSIONS ARE IN INCHES TOLERANCES: ONE PLACE DECIMAL ± .125 TWO PLACE DECIMAL ± .10 ANGULAR: ± 2°</p>	MATERIAL 1/2 inch plywood		NAME Wristy	DATE 5/8/07
		FINISH NONE	LOVINGLY DRAWN BY	Sunshine	5/28/05
		DO NOT SCALE DRAWING	RADICALLY DESIGNED BY		

5

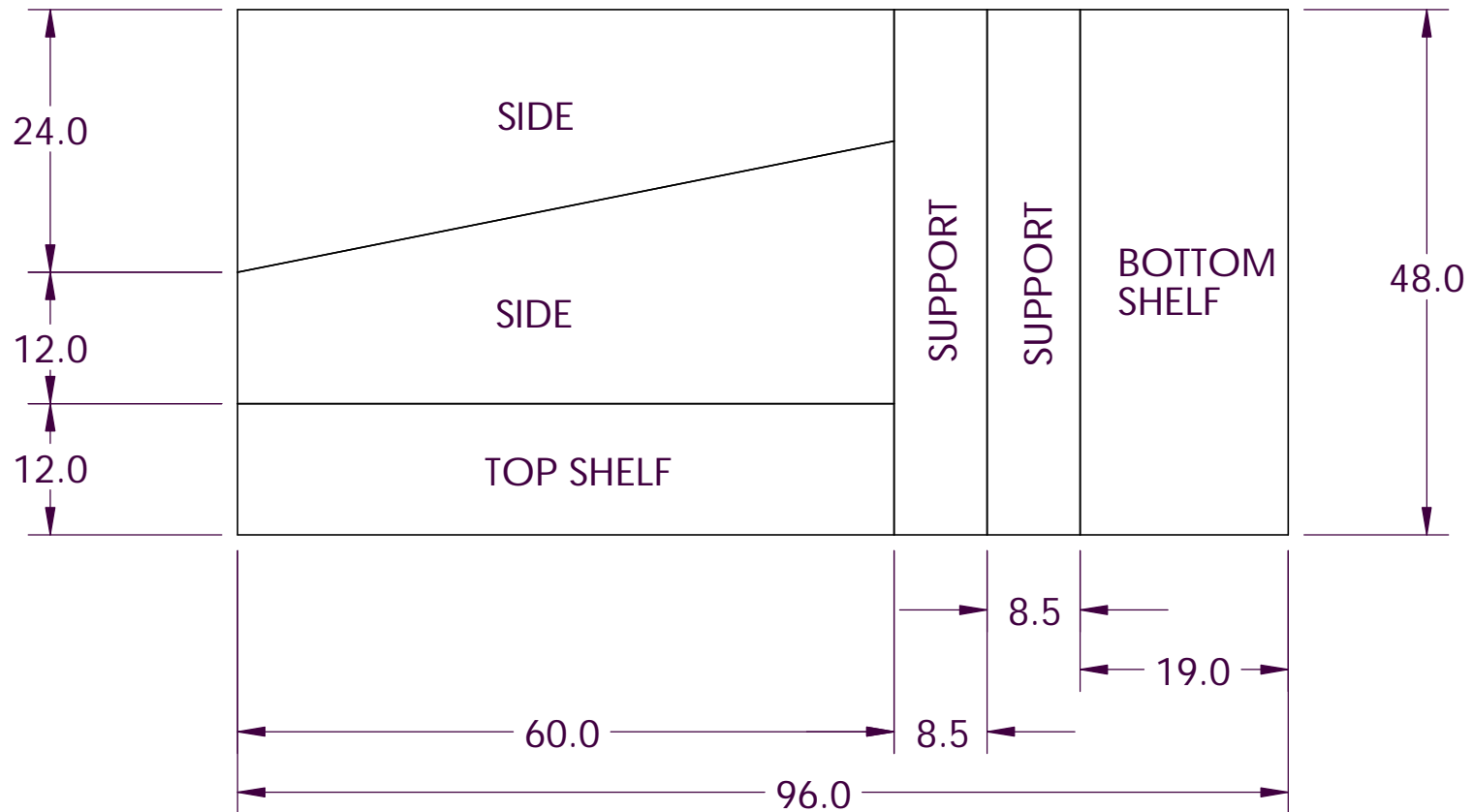
4

3

2

1

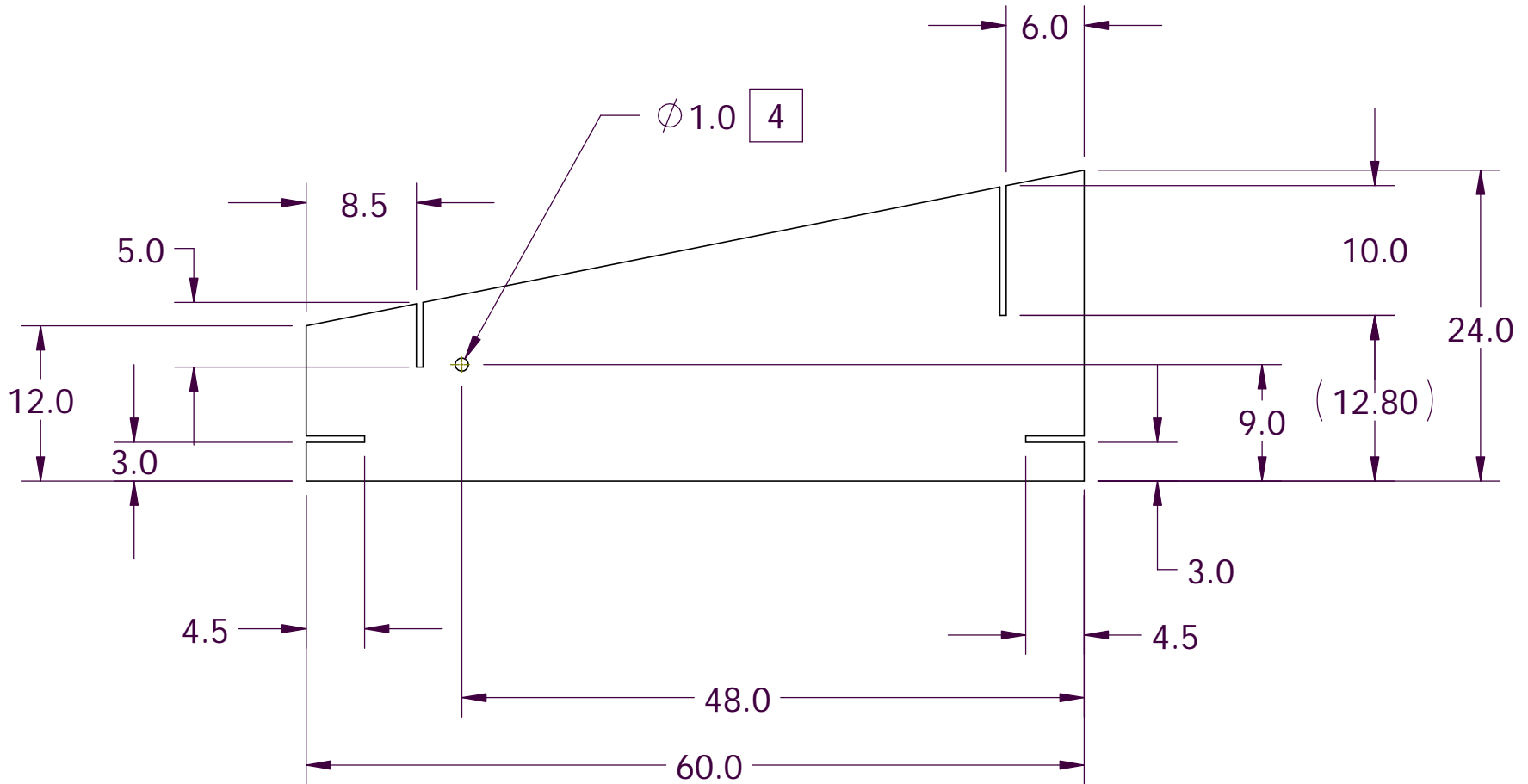
CUT SHEET



TITLE:		
Ploset Sheet		
SIZE	DWG. NO.	REV
A	Ploset	A
SCALE: 1:16		SHEET 2 OF 5

USE ONLY WITH PAYMENT OF ROYALTY
 © 2007 Playatech – All Rights Reserved. The information contained in this drawing is the sole property of Playatech, and was created to benefit the entire Burning Man community. This design may be used only after royalty payment as described at www.playatech.com.

SLOT DETAILS



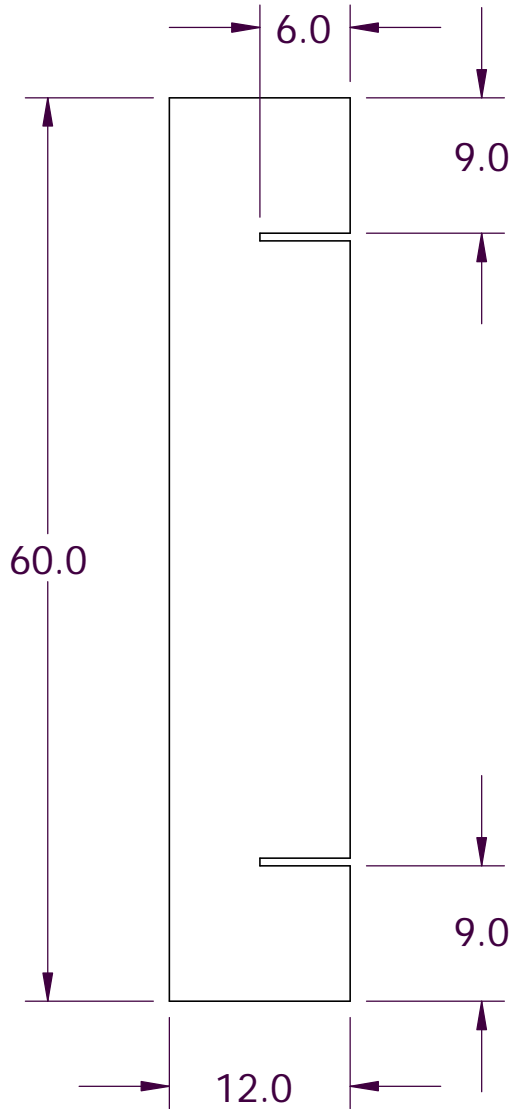
SIDE
(2 REQUIRED)



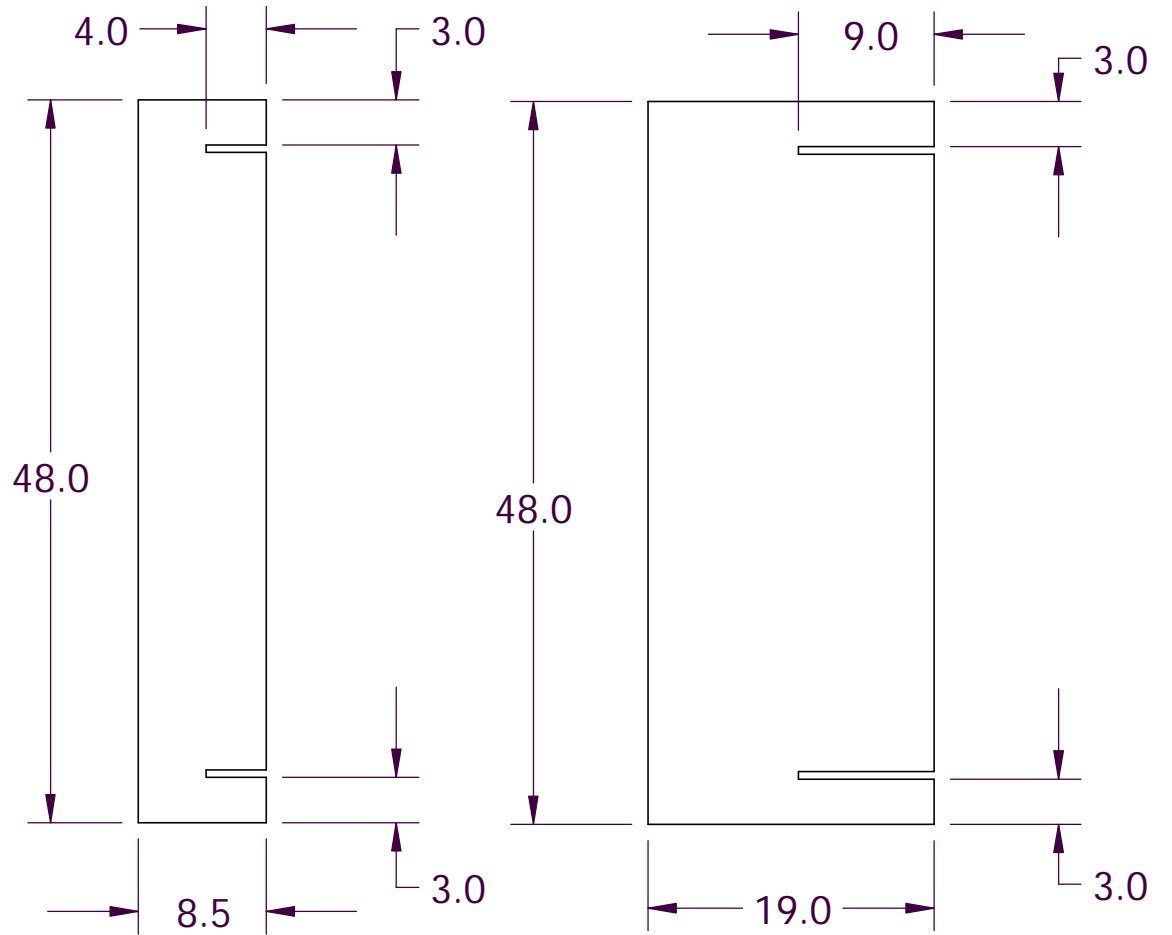
TITLE: Ploset Side		
SIZE A	DWG. NO. Ploset	REV A
SCALE: 1:12		SHEET 3 OF 5

USE ONLY WITH PAYMENT OF ROYALTY
 © 2007 Playatech – All Rights Reserved. The information contained in this drawing is the sole property of Playatech, and was created to benefit the entire Burning Man community. This design may be used only after royalty payment as described at www.playatech.com.

TOP SHELF



BOTTOM SHELF

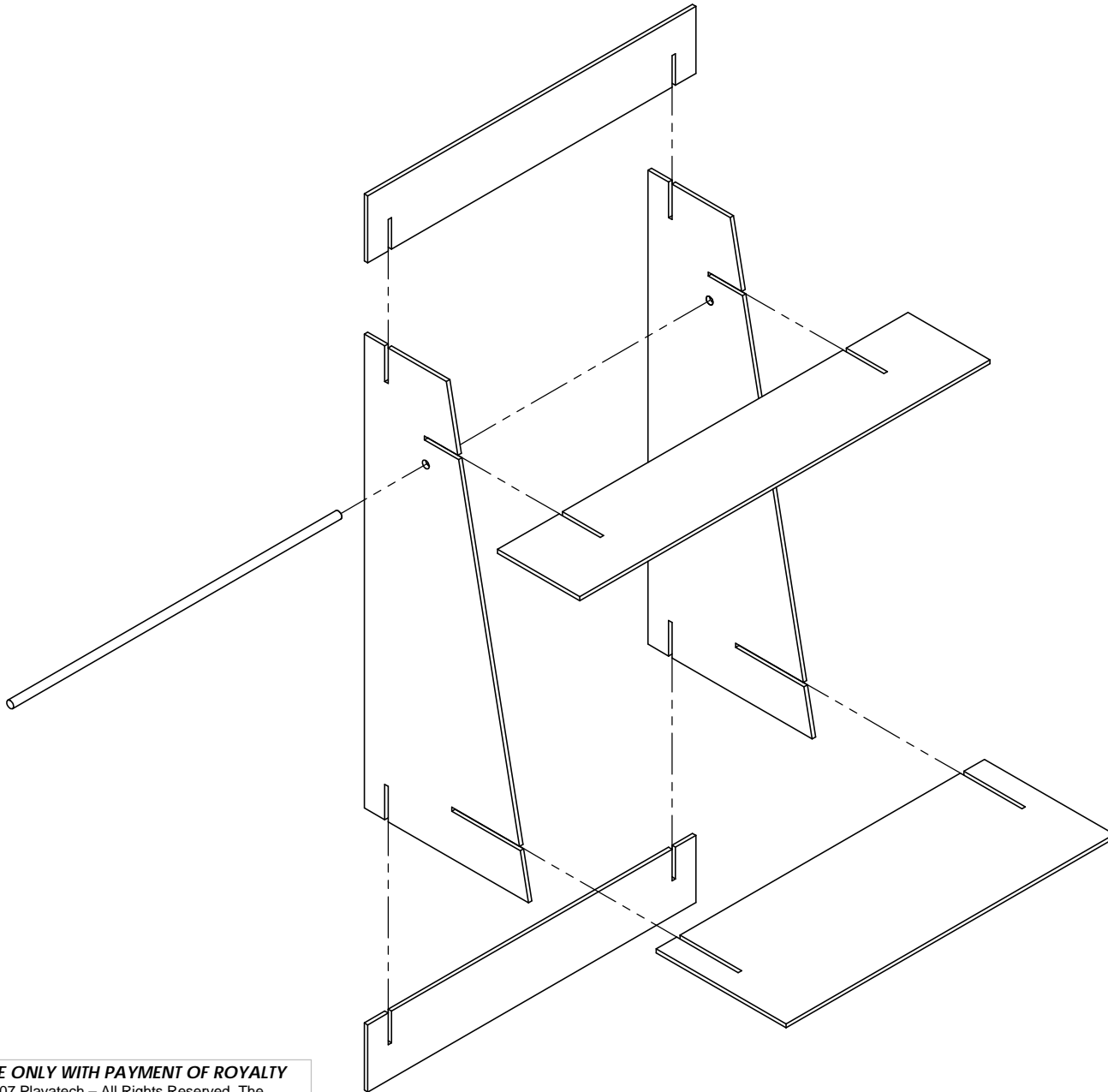


VERTICAL
SUPPORT
(2 REQUIRED)



TITLE: Ploset Parts		
SIZE A	DWG. NO. Ploset	REV A
SCALE: 1:12		SHEET 4 OF 5

USE ONLY WITH PAYMENT OF ROYALTY
 © 2007 Playatech – All Rights Reserved. The information contained in this drawing is the sole property of Playatech, and was created to benefit the entire Burning Man community. This design may be used only after royalty payment as described at www.playatech.com.



TITLE:		
Ploset Assembly		
SIZE	DWG. NO.	REV
A	Ploset	A
SCALE: 1:16		SHEET 5 OF 5

USE ONLY WITH PAYMENT OF ROYALTY
 © 2007 Playatech – All Rights Reserved. The information contained in this drawing is the sole property of Playatech, and was created to benefit the entire Burning Man community. This design may be used only after royalty payment as described at www.playatech.com.

5

4

3

2

1